



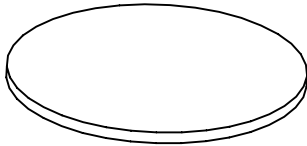
E I C H H O L T Z

109083 DINING TABLE DRUMMOND

ASSEMBLY INSTRUCTION

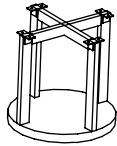
PARTS

1x



(A)

1x



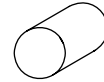
(B)

1x



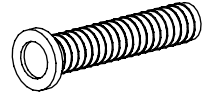
(C)

1x



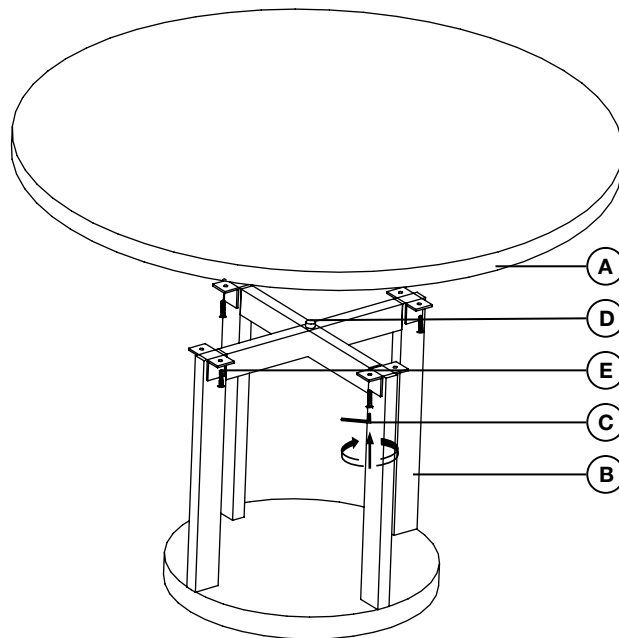
(D)

8x



(E)

1



FINAL

